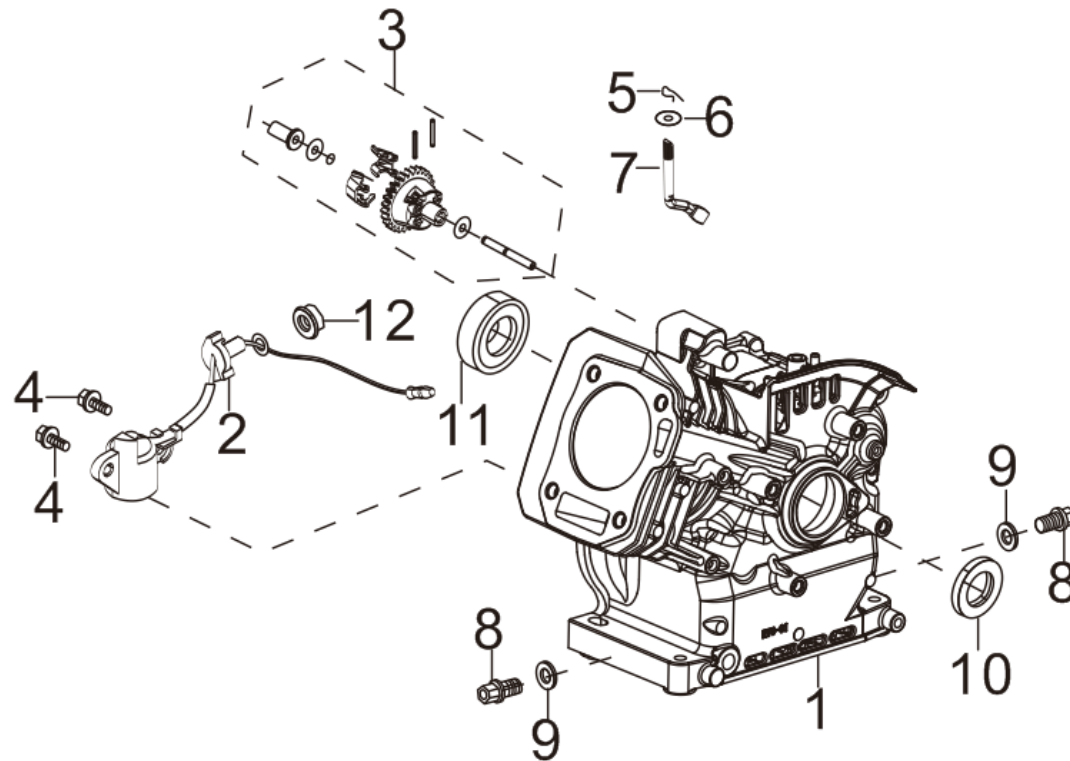
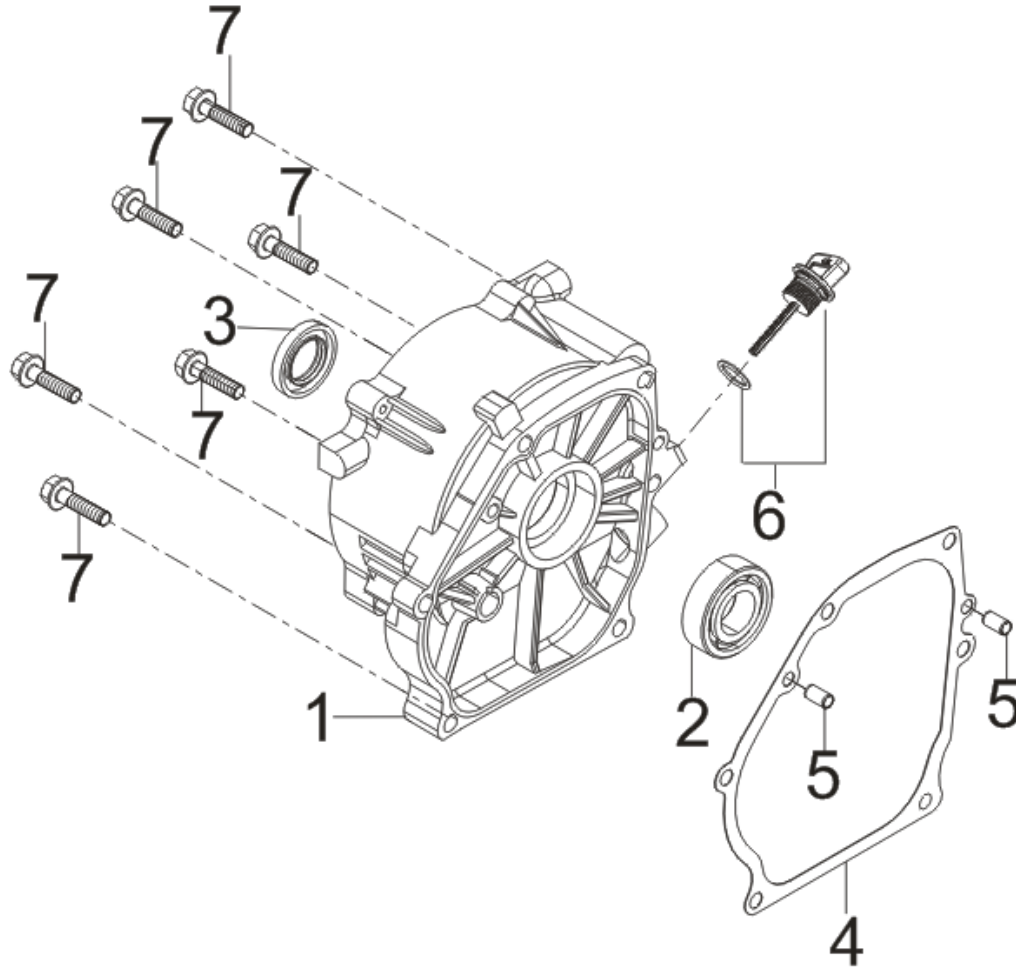


E01



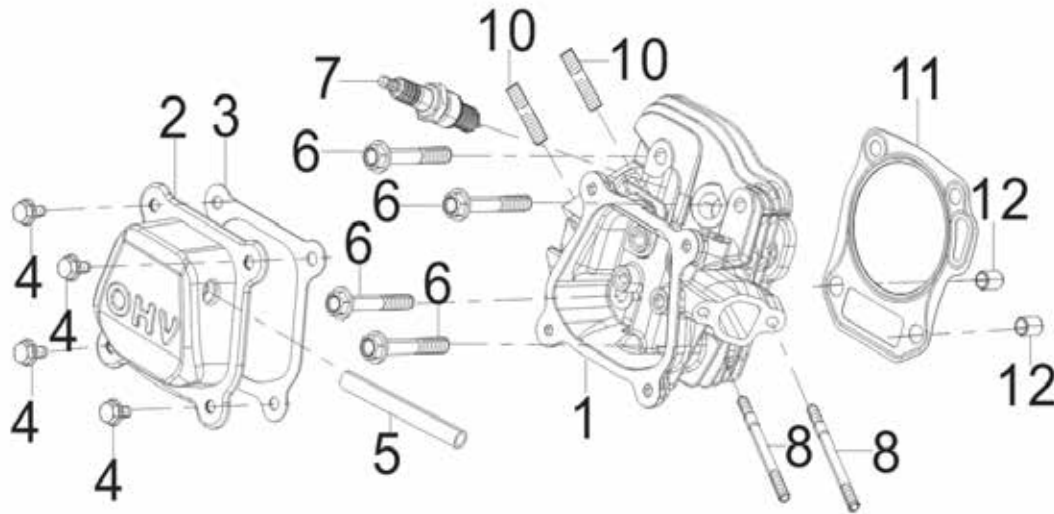
POS.	CODE	DESCRIPTION	QTY
1	A08325	CRANKCASE	1
2	A08608	ENGINE OIL SENSOR	1
3	A08609	GOVERNOR GEAR	1
4	A08852	HEXAGON SOCKET FLANGE FACE BOLT	2
5	A08951	COTTER PIN	1
6	A08610	FLAT WASHER	1
7	A08481	GOVERNOR ARM	1
8	A08287	DRAIN PLUG BOLT	2
9	A08482	FLAT WASHER	2
10	A08483	OIL SEAL	1
11	A08484	BALL BEARING	1
12	A08485	HEXAGON NUT WITH FLANGE	1

E02



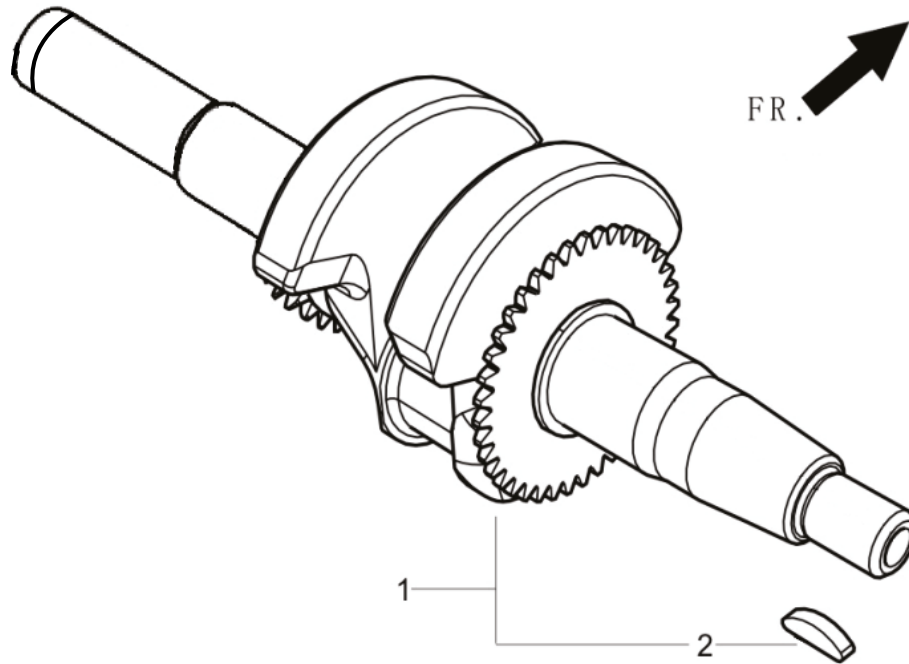
POS.	CODE	DESCRIPTION	QTY
1	A08288	CRANKCASE COVER	1
2	A08484	BALL BEARING	1
3	A08483	OIL SEAL	1
4	A08289	CRANKCASE GASKET	1
5	A08486	POSITION PIN	2
6	A08468	OIL DIPSTICK	1

E03



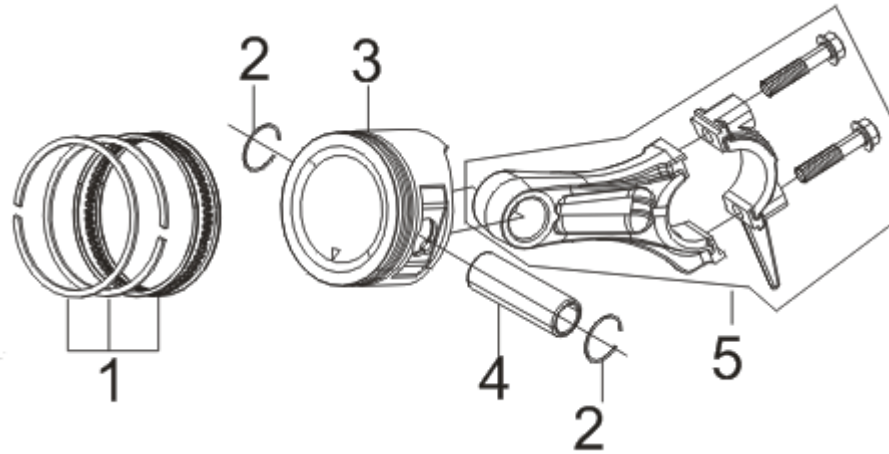
POS.	CODE	DESCRIPTION	QTY
1	A08290	CYLINDER HEAD	1
2	A08291	CYLINDER HEAD COVER	1
3	A08292	CYLINDER HEAD COVER GASKET	1
4	A08968	HEXAGON SOCKET FLANGE FACE BOLT	4
5	A08487	BREATHER TUBE	1
6	A08293	CYLINDER HEAD BOLT	4
7	A08940	SPARK PLUG	1
8	A08488	STUD BOLT	2
10	A08489	STUD BOLT	2
11	A08294	CYLINDER HEAD GASKET	1
12	A08943	POSITION PIN	2

E04



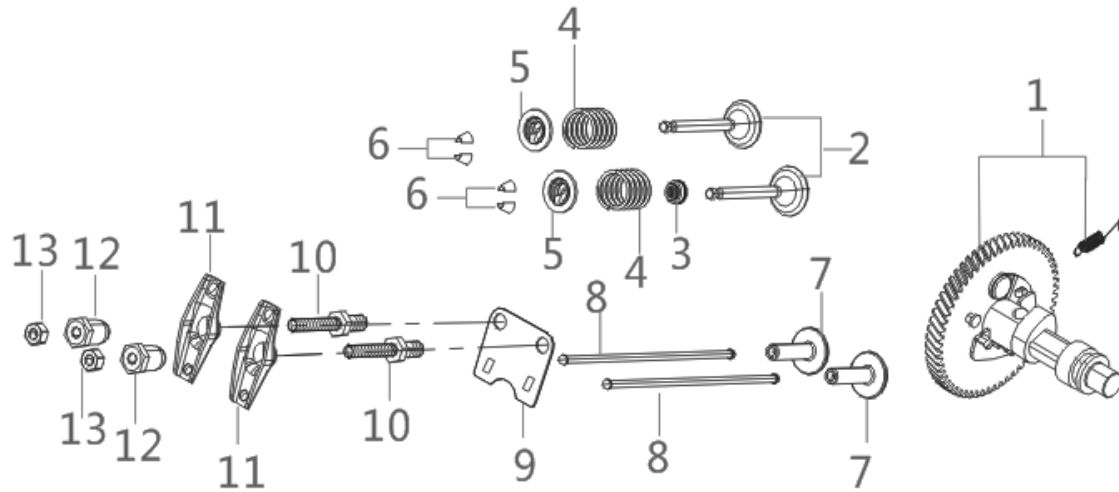
POS.	CODE	DESCRIPTION	QTY
1	A08419	CRANKSHAFT ASSEMBLY	1
2	A09916	KEY	1

E05



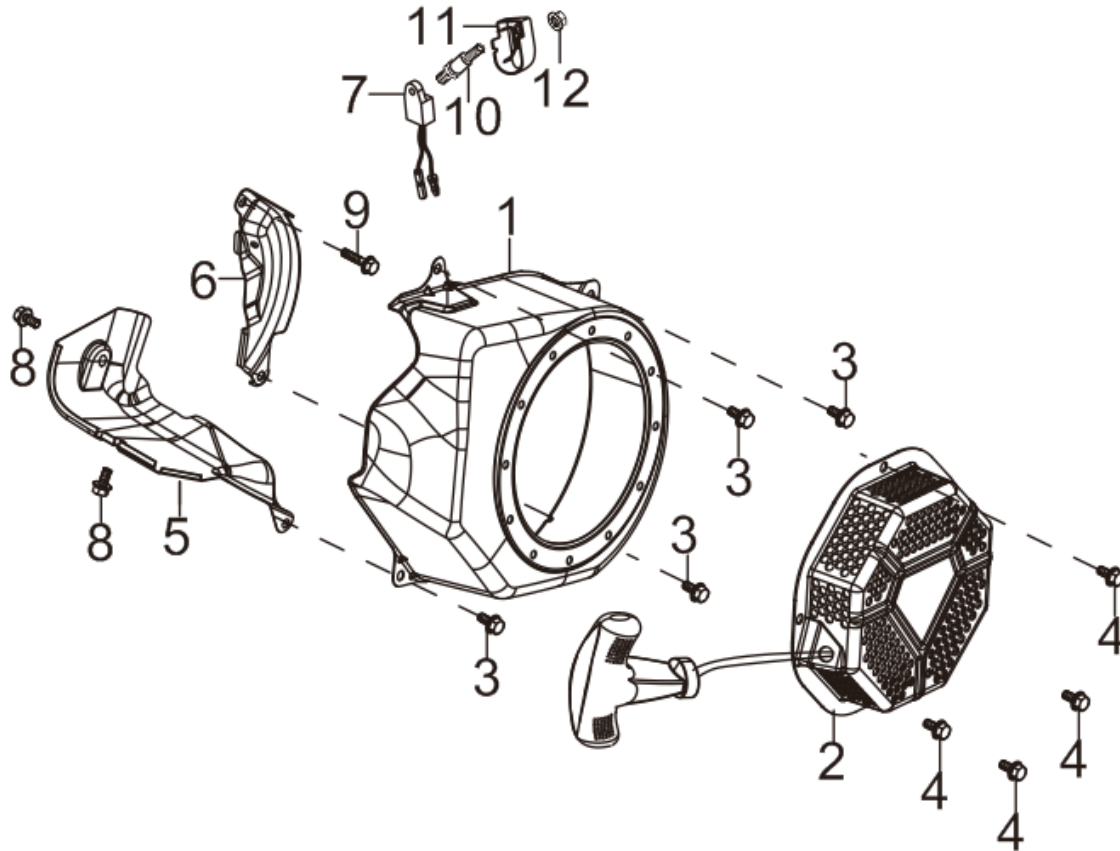
POS.	CODE	DESCRIPTION	QTY
1	A08408	PISTON RING ASSEMBLY	1
2	A08409	PISTON PIN CLIP	2
3	A08295	PISTON	1
4	A08296	PISTON PIN	1
5	A08297	CONNECTING ROD	1

**E06**



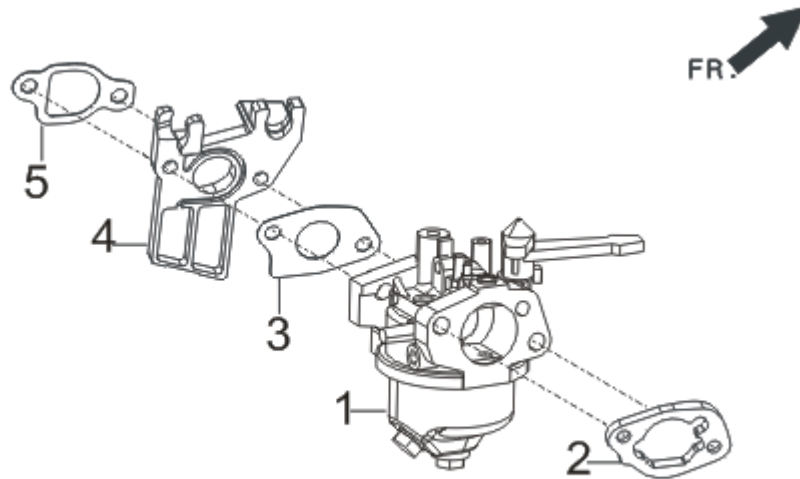
POS.	CODE	DESCRIPTION	QTY
1	A08451	CAMSHAFT	1
2	A08298	VALVES	1
3	A08299	SEAL GUIDE	2
4	A08300	VALVE SPRING	2
5	A08301	VALVE SPRING SEAT	2
6	A08302	VALVE LOCK CLAMP	4
7	A08440	VALVE TAPPET	2
8	A08441	VALVELIFTER	2
9	A08442	LIFTER STOPPER PLATE	1
10	A08459	ROCKSHAFT BOLT	2
11	A08460	VALVE ROCKER	2
12	A08461	VALVE ADJUSTING NUT	2
13	A08462	VALVE LOCK NUT	2

E07



POS.	CODE	DESCRIPTION	QTY
1	A08611	SHROUD	1
2	A08612	RECOIL STARTER	1
3	A08968	HEXAGON SOCKET FLANGE FACE BOLT	4
4	A08613	HEXAGON SOCKET FLANGE FACE BOLT	4
5	A08491	CYLINDER BODY SHROUD	1
6	A08614	LOWER SHIELD	1
7	A08615	OIL PROTECTOR	1
8	A08494	BOLT	2
9	A08496	BOLT	1
10	A08616	OIL PROTECTOR FASTENING BOLT	1
11	A08617	OIL PROTECTOR COVER	1
12	A08506	HEXAGON NUT WITH FLANGE	1

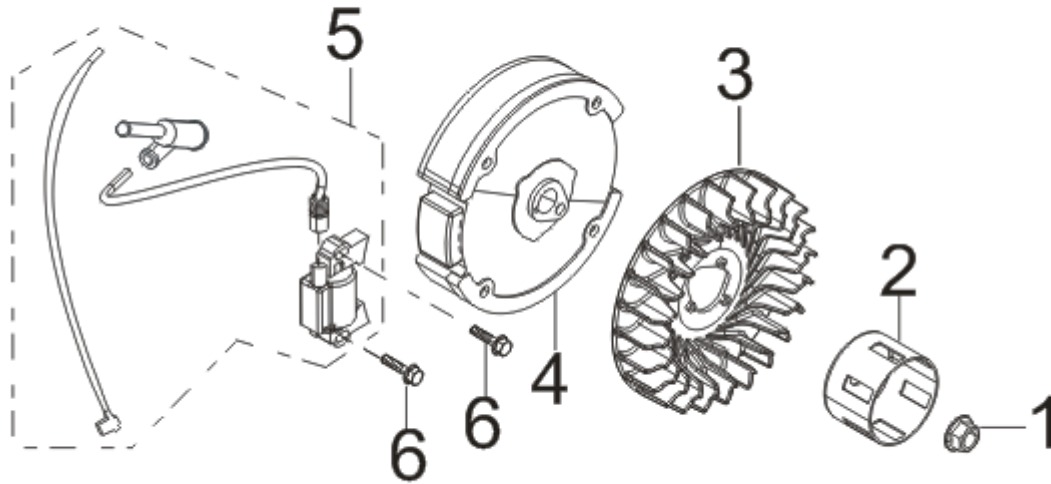
E09



POS.	CODE	DESCRIPTION	QTY
1	A08497	CARBURETOR ASSEMBLY	1
2	A08498	AIR CLEANER SEAL GASKET	1
3	A08469	CARBURETOR SEAL GASKET	1
4	A08478	CARBURETOR INSULATOR PLATE	1
5	A08470	CARBURETOR INSULATOR GASKET	1

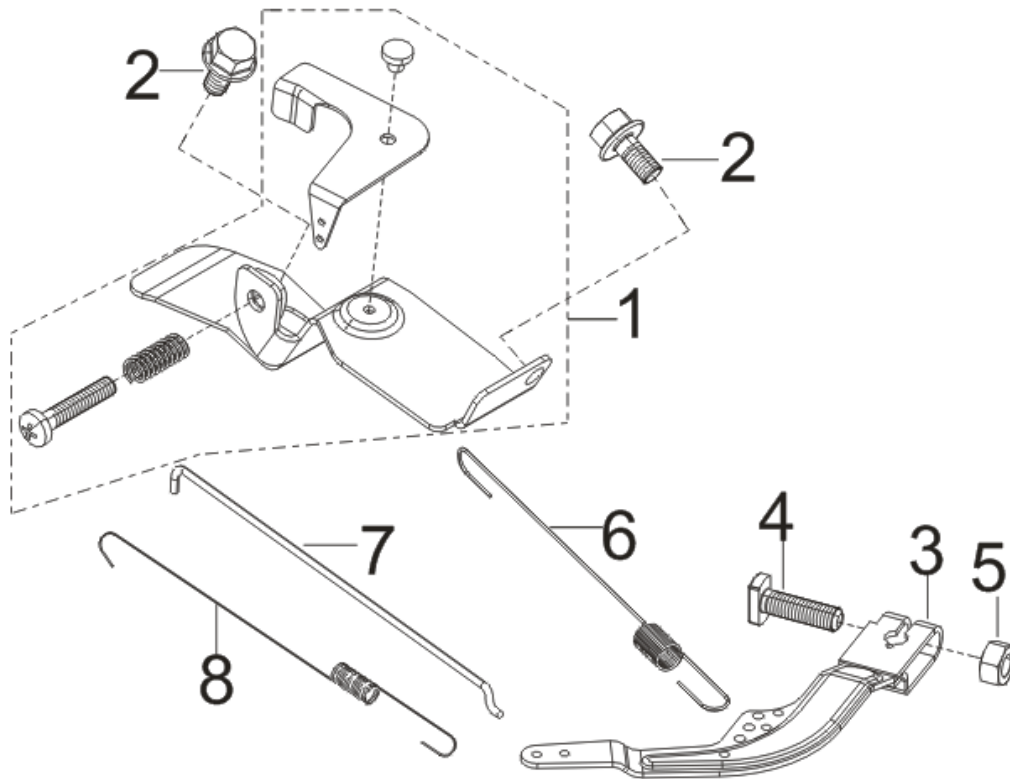


E10



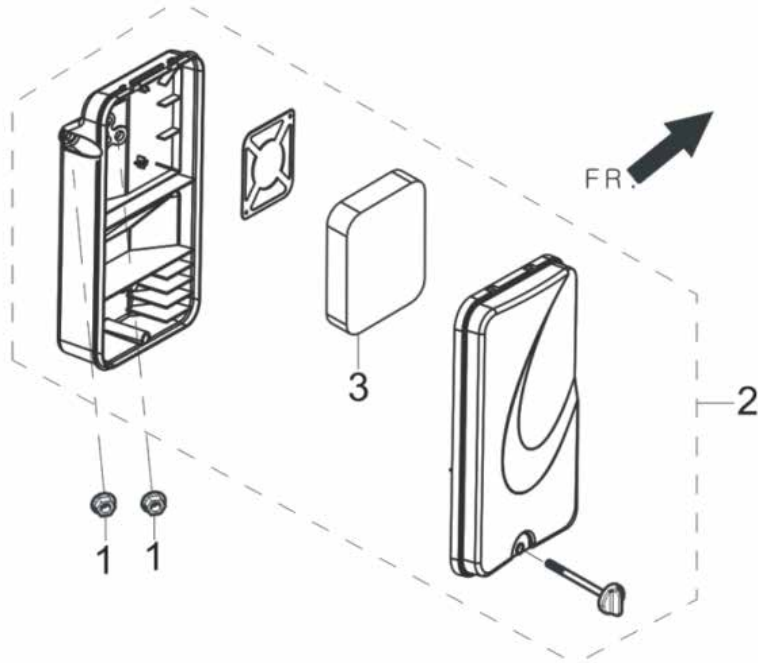
POS.	CODE	DESCRIPTION	QTY
1	A08420	FLYWHEEL NUT	1
2	A08618	STARTER PULLEY	1
3	A08619	IMPELLER	1
4	A08429	FLYWHEEL SUBASSEMBLY	1
5	A08501	IGNITION COIL	1
6	A08502	BOLT	2

E11



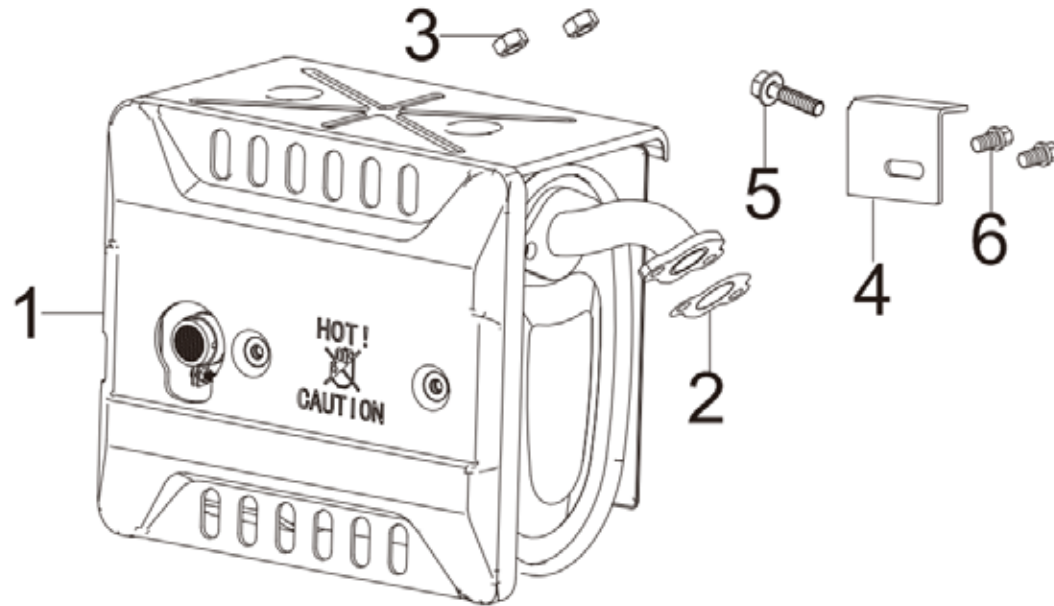
POS.	CODE	DESCRIPTION	QTY
1	A08503	THROTTLE CONTROL ASSEMBLY	1
2	A08494	BOLT	2
3	A08504	GOVERNOR BRACKET	1
4	A08505	GOVERNOR SUPPORT BOLT	1
5	A08506	HEXAGON NUT WITH FLANGE	1
6	A08507	GOVERNOR SPRING	1
7	A08508	GOVERNOR ROD	1
8	A08509	THROTTLE VALVE RETURNING SPRING	1

F01



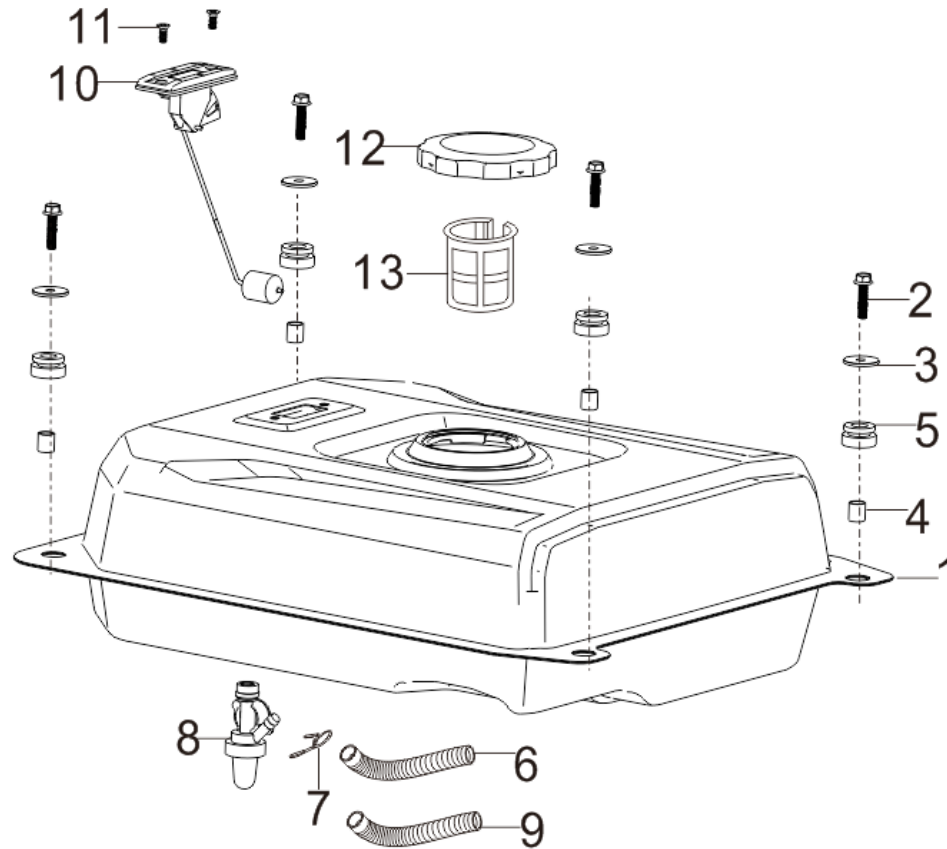
POS.	CODE	DESCRIPTION	QTY
1	A08506	HEXAGON NUT WITH FLANGE	2
2	A08510	AIR FILTER	1
3	A08620	AIR FILTER ELEMENT	1

F02



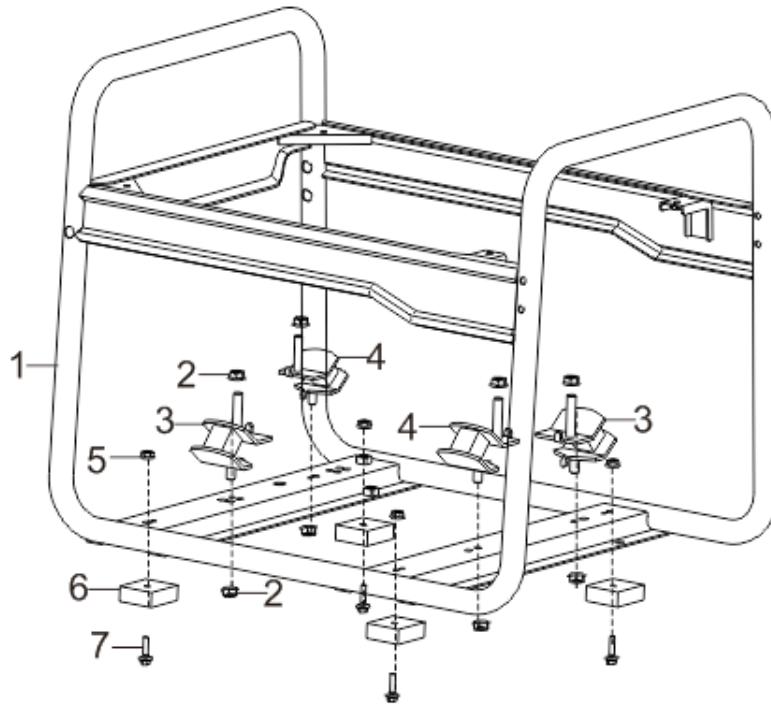
POS.	CODE	DESCRIPTION	QTY
1	A08621	MUFFLER	1
2	A08622	EXHAUST OUTLET GASKET	1
3	A08747	HEXAGON NUT	2
4	A08623	MUFFLER BRACKET	1
5	A08624	BOLT	1
6	A08968	BOLT	2

F03



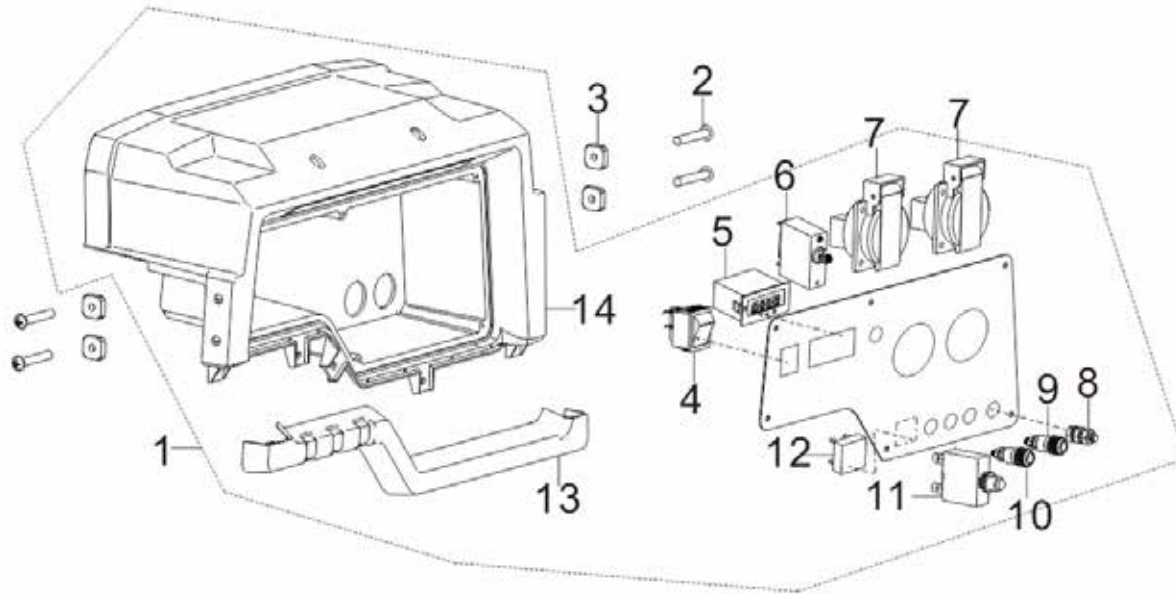
POS.	CODE	DESCRIPTION	QTY
1	A08625	FUEL TANK	1
2	A08502	BOLT	4
3	A08515	FLAT WASHER	4
4	A08749	BUSH	4
5	A08626	FUEL TANK RUBBER SLEEVE	4
6	A08627	FUEL TUBE	1
7	A08816	COLLAR	1
8	A08628	FUEL COCK	1
9	A08629	RUBBER JACKET	1
10	A08630	OIL LEVELER	1
11	A08631	BOLT	2
12	A08632	FUEL TANK COVER	1
13	A08633	FUEL STRAINER	1

F04



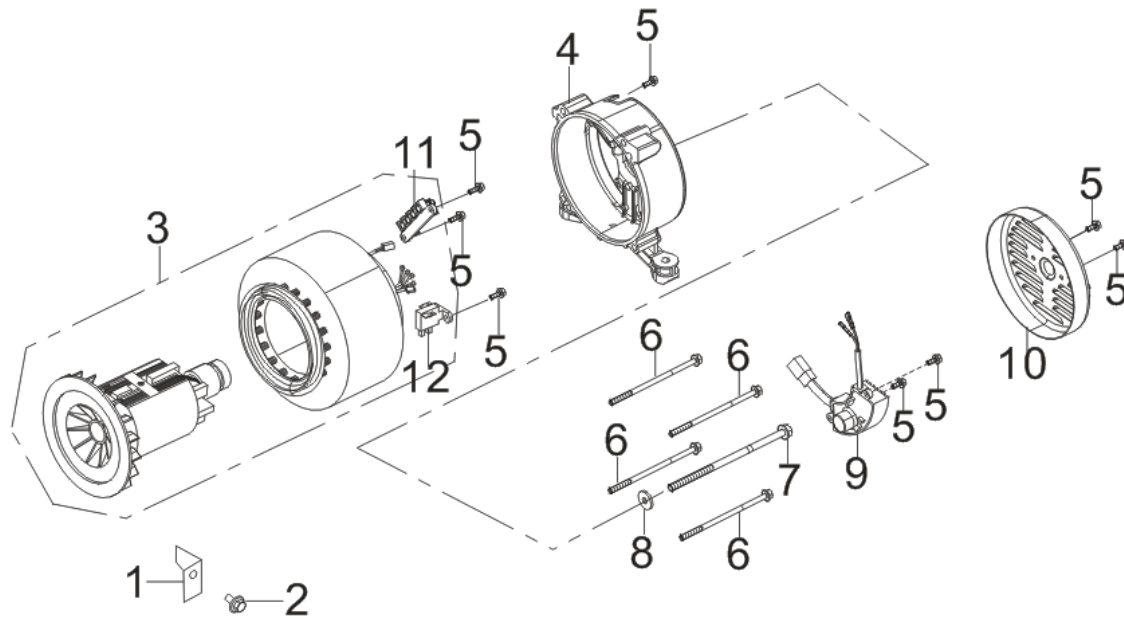
POS.	CODE	DESCRIPTION	QTY
1	A08634	ENGINE FRAME	1
2	A08520	HEXAGON NUT WITH FLANGE	8
3	A08635	ENGINE FRAME CUSHION	2
4	A08636	ENGINE FRAME RIGHT CUSHION	2
5	A08637	HEXAGON NUT WITH FLANGE	4
6	A08638	ENGINE FRAME SHOCK ABSORPTION SEAT	4
7	A08639	BOLT	4

F05



POS.	CODE	DESCRIPTION	QTY
1	A08640	CONTROL PANEL	1
2	A08641	BOLT	4
3	A08969	SQUARE NUT	4
4	A08526	SWITCH	1
5	A08642	TIMER	1
6	A08530	SINGLE-POLE CIRCUIT BREAKER	1
7	A08529	POWER SUPPLY SOCKET	2
8	A08531	GROUNDING TERMINAL	1
9	A08755	NEGATIVE BINDING POST	1
10	A08756	POSITIVE BINDING POST	1
11	A08828	OVERCURRENT PROTECTOR	1
12	A08528	RECTIFICATION BRIDGE	1
13	A08233	FRONT PANEL DECORATED PLATE	1
14	A08211	PANEL SEAT	1

**F06**



POS.	CODE	DESCRIPTION	QTY
1	A08645	MOTOR RIGHT COVER STOPPER	1
2	A08646	BOLT	1
3	A08647	ALTERNATOR	1
4	A08535	ALTERNATOR SUPPORT	1
5	A08536	BOLT	8
6	A08648	STATOR BOLT	4
7	A08649	ROTOR BOL	1
8	A08539	FLAT WASHER	1
9	A08650	VOLTAGE REGULATOR	1
10	A08651	ALTERNATOR TAIL COVER	1
11	A08652	TERMINAL BLOCK	1
12	A08653	CARBON BRUSH	1